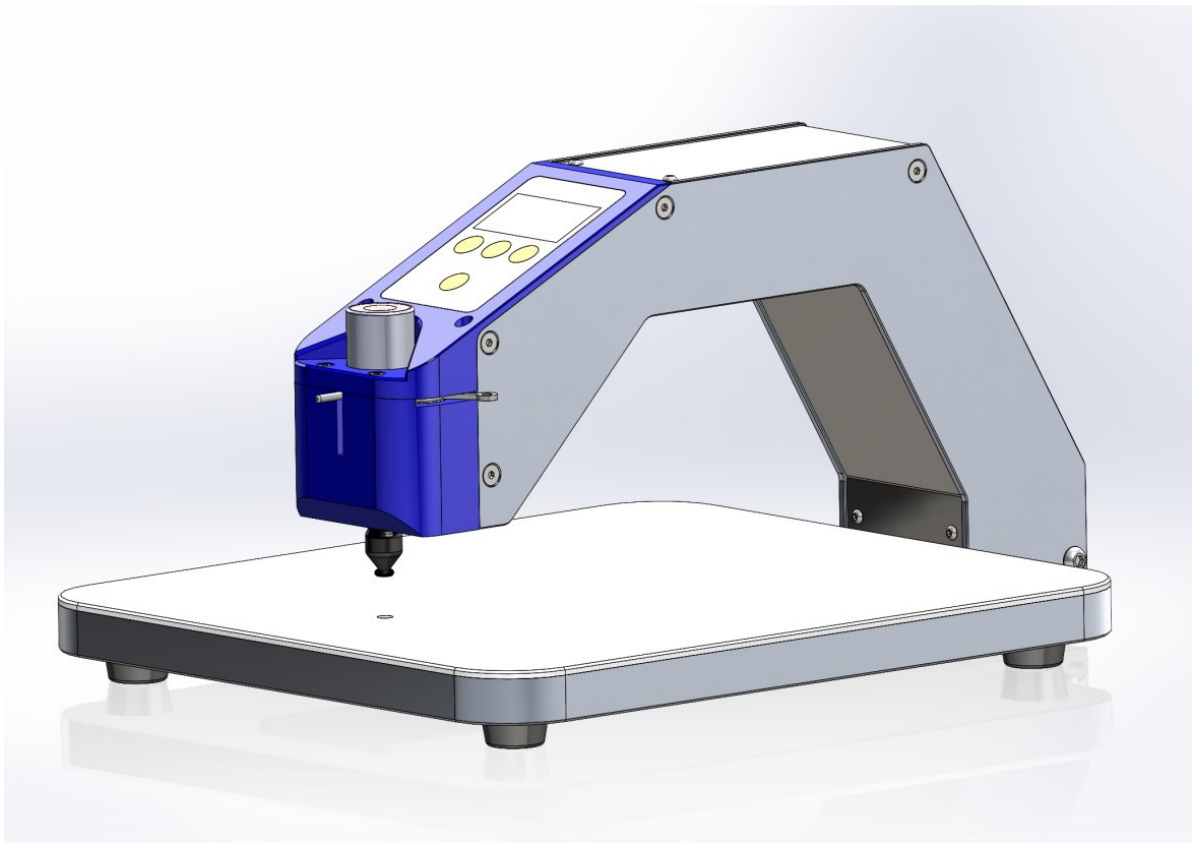


KOWODENS TD

KOWODENS TD

Transmission Densitometer

according to ISO 5, ISO 14807, ASTM E1079



For precise determination
of optical densities of X-ray films

KOWODENS TD Transmission Densitometer, tabletop model

For precise determination of optical densities of X-ray films the KOWODENS TD is equipped with innovative digital measuring technique.

The illuminated display enables good readings even in darkened rooms and calibration of the instrument, done with the software, is simple and much more accurate than on conventional densitometers.

There are two ways of operating the measuring sensor – either by pressing it down onto the film or the sensor is laying on the film with slight pressure and is lifted before moving the film to next measuring spot.

Due to the soft tip sensor and rounded edges of the light table even large format films can be measured without scratching these.

Specification:

Materials:

Housing: Aluminum, anodized

Table: Lucite (PMMA)

Measuring range: D 0.00 ... > 5.50

Resolution: $\leq D 4.00$ D 0.001
 $> D 4.00$ D 0.01

Accuracy: $\leq D 4.00$ +/- D 0.01
 $> D 4.00$ +/- D 0.02

Repeatability: $\leq D 4.00$ +/- D 0.005
 $> D 4.00$ +/- D 0.010

Measuring light source:

Color temperature: 2,800 K

Luminance: $\leq D 4.00$ - 40,000 cd/m²
 $> D 4.00$ - 80,000 cd/m²

Aperture size: Ø 2 mm

Communication port: USB 2.0

Power Supply: 100 ... 240 V, 50 ... 60 Hz

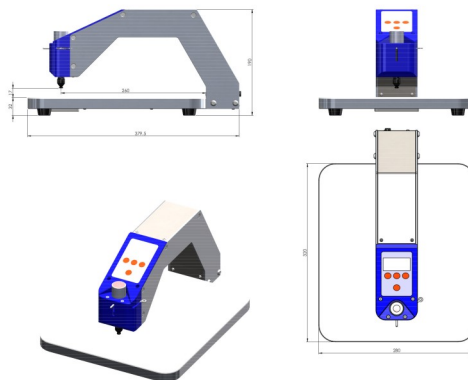
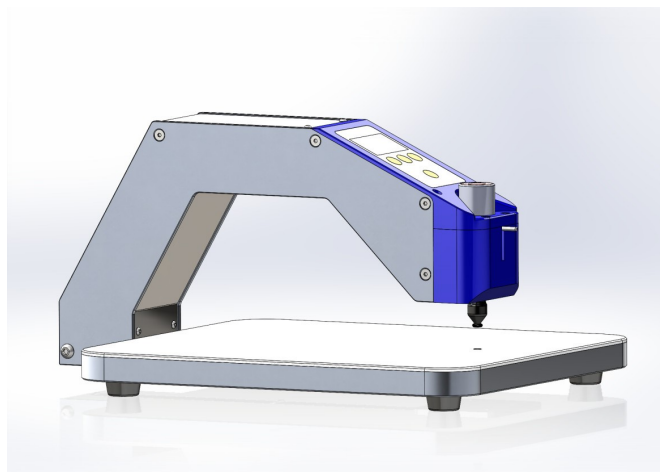
Dimensions unit: 280 x 380 x 190 mm (WxDxH)

Dimensions table: 280 x 320 mm (WxD)

Length measuring arm: 260 mm

Weight unit: 5.80 kg

Weight power supply: 0.15 kg



Scope of supply:

KOWODENS TD Densitometer

Article No.: 13 40530

complete with:

Power supply unit (plug-in)

KOWOSTEP D density step tablet

Test certificate, Certificate of Conformity

Accessories:

BAM X-001 Density step tablet

Article No.: 13 40205

15 density values, >0,20 ... >5,00

Re-calibration BAM X-001

Article No.: 13 40206

5 years validity

