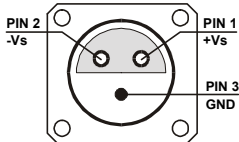
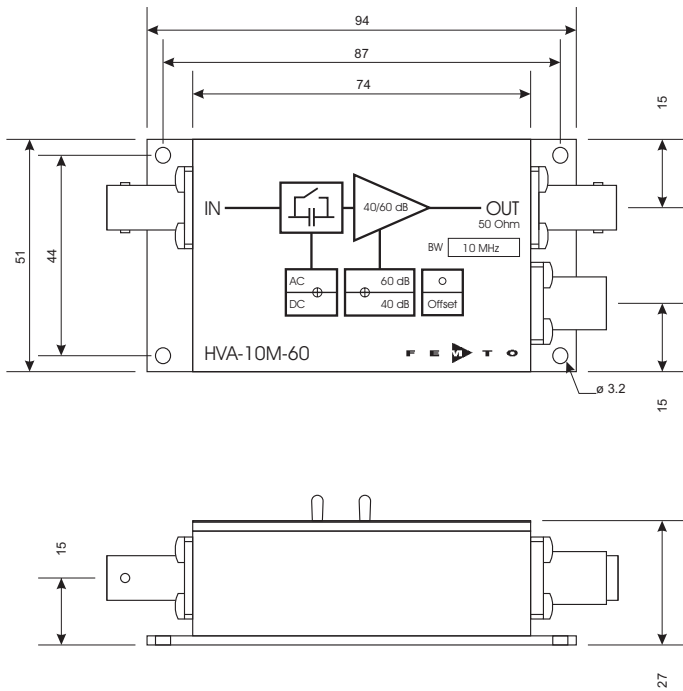


10 MHz High Input Impedance Voltage Amplifier



Features	<ul style="list-style-type: none"> • Switchable Gain 40/60 dB (x100 / x1,000) • Bandwidth DC ... 10 MHz • High Input Impedance 1 MΩ • Switchable AC/DC Coupling 	
Applications	<ul style="list-style-type: none"> • Oscilloscope and Transient Recorder Pre-amplifier • Photomultiplier and Microchannel Plate Amplifier • Signal Booster for Optical Receivers and Current Amplifiers • Time-Resolved Pulse and Transient Measurements 	
Specifications	<p>Test Conditions</p> <p>Gain</p> <p>Frequency Response</p> <p>Input</p> <p>Output</p> <p>Power Supply</p> <p>Case</p>	<p>$V_s = \pm 15\text{ V}$, $T_a = 25^\circ\text{C}$</p> <p>40/60 dB switchable (@ 50 Ω load) ± 0.2 dB</p> <p>DC/1 Hz switchable 10 MHz 35 ns</p> <p>1 MΩ 15 pF 4.7 nV/√Hz (@ 2 MHz) 100 μV peak-peak 2 pA 250 μV max. 2 μV/°C</p> <p>50 Ω (terminate with 50 Ω load for best performance) ± 3.5 V (@ 50 Ω load, for linear amplification) 100 mA ± 500 mV 500 V/μs (@ 50 Ω load)</p> <p>± 15 V ± 70 mA typ. (depends on operating conditions, recommended power supply capability min. ± 150 mA)</p> <p>200 g (0.5 lbs) AlMg4.5Mn, nickel-plated</p>

10 MHz High Input Impedance Voltage Amplifier

<p>Specifications (continued)</p> <p>Temperature Range</p>	<p>Storage Temperature - 40 ... + 100 °C</p> <p>Operating Temperature 0 ... + 60 °C</p>
<p>Absolute Maximum Ratings</p>	<p>Power Supply Voltage ± 20 V</p> <p>Signal Input Voltage ± 5 V</p> <p>Transient Input Voltage 200 V (out of a 200 pF Source)</p>
<p>Connectors</p>	<p>Input BNC</p> <p>Output BNC</p> <p>Power Supply LEMO series 1S, 3-pin fixed socket Pin 1: + 15V Pin 2: - 15V Pin 3: GND</p> 
<p>Dimensions</p>	 <p>all measures in mm unless otherwise noted</p> <p>DZ_HVA-10M-60_R2</p>



深圳众裕康科技有限公司
 Shenzhen Zhong Yu Kang Technology Co., Ltd

联系人：曾祥满 手机：13632925349 QQ：812401203 电话：0755- 28896837

地址：深圳市龙岗区沙平北路111号6008 网址：www.zykang.cn 邮箱：zykang2021@163.com