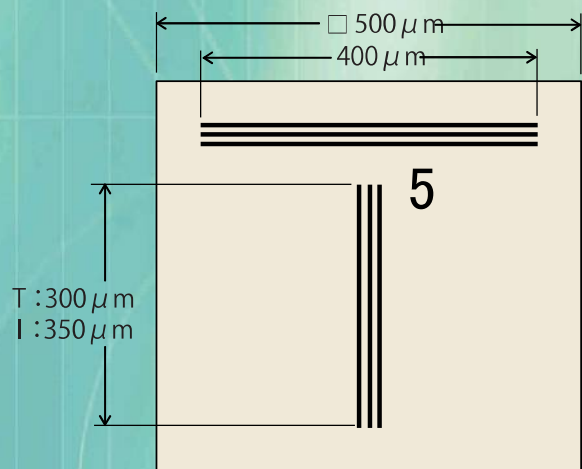
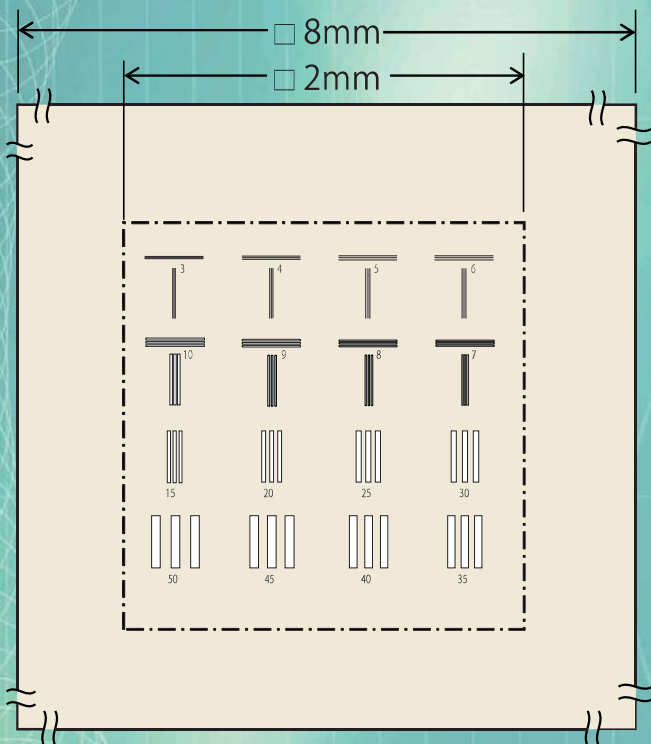


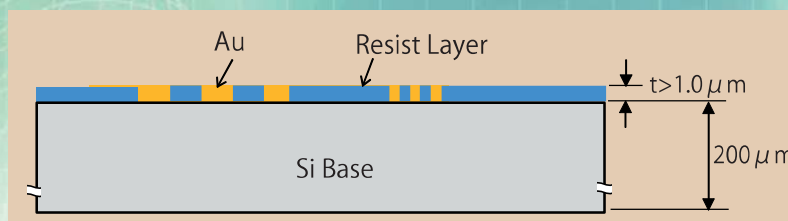
The most advanced Micro-technology realized precise Line & Space Microchart test piece with 16 different width (3 to 50  $\mu\text{m}$ ). Nowadays Microfocus X-Ray becomes major beamsize, this is necessary item to adjust, setup, check and maintain your X-Ray system.

## Microchart Pattern Line & Space / Line Width : 3 to 50 $\mu\text{m}$ , 16 size



- 16 sets of L&S layout in 2x2 mm on 8x8 mm Si base as left
- Above drawing is image for size 5  $\mu\text{m}$  L&S
- Number of Au Slit is 3 lines and 2 spaces.
- Width 3 to 10  $\mu\text{m}$  : T Shape layout
- Width 15 to 50  $\mu\text{m}$  : I Shape layout L/S width:
- L/S width: 3, 4, 5, 6, 7, 8, 9, 10, 15, 20, 25, 30, 35, 40, 45, 50  $\mu\text{m}$

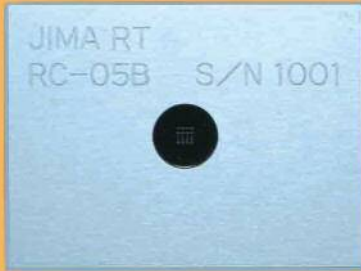
## Chip Cross Section



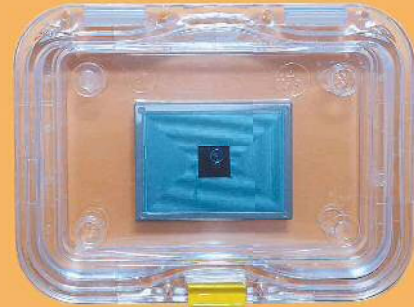
16 Au charts are layouted on 8x8mm Si Chip.  
Si chip is fixed on 40x30x3mm Aluminum Base. Surface is covered with protection film.



## Outlook (Reversed side)



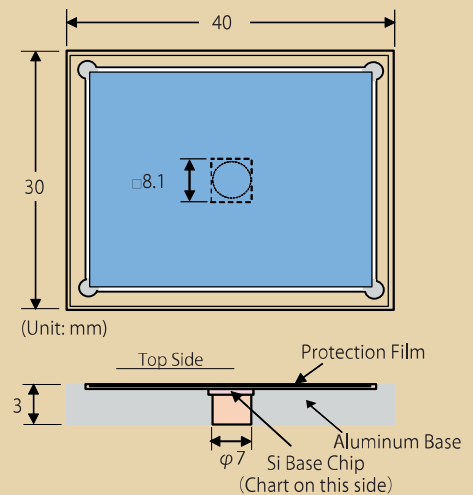
## Plastic Case



## Specification

<b>Outer Size</b>	W 40 x D 30 x T 3 mm
<b>Si Base Chip Size</b>	8 x 8 x 0.2 mm
<b>Absorption Material</b>	Au Line, Thickness $\geq 1.0 \mu\text{m}$
<b>Protection Film</b>	Polyester Film, T 0.05mm
<b>Line and Space Size, 2 patterns</b>	3, 4, 5, 6, 7, 8, 9, 10 $\mu\text{m}$ (T Shape Layout) 15, 20, 25, 30, 35, 40, 45, 50 $\mu\text{m}$ (I Shape only)
<b>L/S Width Tolerance</b>	$\pm 15\%$ (3, 4 $\mu\text{m}$ ) $\pm 10\%$ (5 $\mu\text{m}$ and Wider)
<b>Number of Line</b>	Each 3 Line set
<b>Operation Temperature</b>	10 $^{\circ}\text{C}$ ~ 70 $^{\circ}\text{C}$

## Drawing (Top)



Specifications may be changed without notice. Please confirm all specification before order.